

TalkingThermostats.com

Control and Monitor the temperature of your Residential, Vacation Home or Commercial Properties using the Internet based Bayweb Cloud-EMS™ Energy Management System

Effortlessly Control One or a Thousand HVAC Units from your Computer, Tablet or Smartphone - When you choose to install Bayweb Internet Thermostats in all of your locations, you harness one of the most sophisticated and affordable energy-saving devices available today. This mobile cloud-based energy management system fits in the palm of your hand and **costs little more than a tradition programmable thermostat.**



A Mobile HVAC Control & Energy Management System For All Your Locations - 24/7 - The Bayweb Cloud-EMS™ Energy Management System web portal gives you, your facilities manager, and your energy management team anytime, anywhere HVAC control over the Internet. Wherever you are, the Bayweb Cloud-EMS™ Energy Management System and Smart Internet Thermostats allow you and your energy management team to monitor and control HVAC units in thousands of Residential and Commercial locations with the Bayweb easy-to-use Smartphone, Tablet and Desktop Apps.

Try the Bayweb App using your smartphone or tablet. Just download the **FREE Bayweb** App from either the Apple or Android App store. Once downloaded, initiate the App and log in with the following User ID: **talkingthermostats** and Password: **baywebdemo** Feel free to exercise the thermostat.



Examples of Residential and Commercial Applications

- Primary Homes
 - Vacation Homes
 - Warehouses
 - Schools
 - Hotels & Resorts
 - Office Buildings
 - Rental Properties
 - Restaurants
 - Remote Utility Buildings
 - Grocery & Retail Stores
 - Churches & Synagogues
 - Conference Centers
- **Affordable** - Designed to install yourself, easy to setup and operate. Typical energy savings will pay for the thermostat in about a year. There are no reoccurring monthly fees
 - **Remote Access** - Operate your thermostats and monitor space temperature anytime, anywhere using your **Comuter, Tablet or Smartphone**. Unlimited use of the **Bayweb** portal is included at **no additional charge**. The state-of-the-art portal provides real time monitoring, control and reporting.
 - **Web Applets** - Gives you the ability to easily customize your personal web portal to suit your needs. Applets are available for everything from thermostat control and energy reporting to local weather.
 - **Optional Occupancy Sensor** - can automatically adapt the activity based scheduler to the occupant's lifestyle by keeping them comfortable when at home and reducing the energy consumption when they are away.
 - **Energy Management** - The **Bayweb** thermostat provides comprehensive scheduling, energy management reporting, analysis and alerting functions previously found in more expensive and complex building management systems.
 - **Web Portal Alert** - Be alerted if energy usage ever exceeds a specified threshold, a great feature for vacation home owners and property managers.
 - **Your property is being monitored** - The **Bayweb** thermostat can **alert you** by **email or text message** if a problem occurs such as High or Low temperature extremes, loss of Internet connectivity, an activation of an alarm input by an external normally open or normally closed "dry contact" such as a water sensor, door or window switch, high temperature in a freezer or cooler and abnormal HVAC system discharge temperature.
 - **Alerts - email and text message alerts** can be delivered to your mobile phone and/or to email addresses you select.
 - **Three Models Available** - control from single stage to complex multi-stage applications with the capability of remote temperature monitoring and alerting up to four inputs.

The EZRA Group LLC / Talking Thermostats.com www.talkingthermostats.com

PO Box 27145 Golden Valley, MN 55427

E-mail: harry@talkingthermostats.com

Tel: 1-800-838-8860

763-591-9557

Fax: 763-544-7166

Available Models

STANDARD model BW-WT1

The **BW-WT1** offers control of single stage conventional 24 Vac gas, oil and electric furnaces and single stage electric air conditioning systems. The **BW-WT1** replaces most 2,3,4 and 5 wire analog and digital thermostats. The **BW-WT1** includes 1 digital alarm input. **Price: \$199.00 plus \$10.00 shipping and handling**

ADVANCED model BW-WT2

The **BW-WT2** offers control of one or two stage conventional 24 Vac gas, oil and electric furnaces and one or two stage electric air conditioners and single stage compressor heat pump systems with auxiliary heat. The **BW-WT2** includes 3 digital alarm inputs. **Price: \$224.00 plus \$10.00 shipping and handling**

ADVANCED model BW-WT2-H (Humidity Control)

The **BW-WT2-H** offers control of one or two stage conventional 24 Vac gas, oil and electric furnaces and one or two stage electric air conditioners and single stage compressor heat pump systems with auxiliary heat. The **BW-WT2-H** includes 3 digital alarm inputs. This model will provide humidifier control and also provide humidity limiting when used with an air conditioner. **Price: \$250.00 plus \$10.00 shipping and handling**

PROFESSIONAL model BW-WT8

The **BW-WT8** offers control of one or two stage conventional 24 Vac gas, oil and electric furnaces and one or two stage electric air conditioners and single stage compressor heat pump systems with auxiliary heat. The **BW-WT8** includes 3 digital or analog (temperature sensor) alarm inputs. The W2 and Y2 outputs can be used as switched outputs if not used for HVAC functions. **Price: \$268.00 plus \$10.00 shipping and handling**

PROFESSIONAL model BW-WT8-H (Humidity Control)

The **BW-WT8-H** offers control of one or two stage conventional 24 Vac gas, oil and electric furnaces and one or two stage electric air conditioners and single stage compressor heat pump systems with auxiliary heat. The **BW-WT8-H** includes 3 digital or analog (temperature sensor) inputs. The W2 and Y2 outputs can be used as switched outputs if not used for HVAC functions. This model will provide humidifier control and also provide humidity limiting when used with an air conditioner. **Price: \$290.00 plus \$10.00 shipping and handling**

Select the correct BAYweb Internet Controlled Thermostat based on the wiring configuration of your current thermostat

Wiring terminals on your current thermostat					
1. Remove the cover on your current thermostat so the screw wiring terminals are visible. Each screw terminal has a letter designator.	R,W or R,W,C	W2,Y2 and / or O,B	W2,Y2 and / or O,B	W2,Y2 and / or O,B	W2,Y2 and / or O,B
2. Record the letter designator of each screw terminal that has a wire attached.	or R,W,G	plus any other letters	plus any other letters	plus any other letters	plus any other letters
3. Look at the chart to the right to determine which model corresponds to the information you recorded.	or R,W,G,C				
4. Select the model with the features you desire.	or R,W,G,Y or R,W,G,Y,C				
Thermostat family designator	Standard	Advanced		Professional	
BAYweb model number to select	BW-WT1	BW-WT2	BW-WT2-H	BW-WT8	BW-WT8-H
Optional Features			(Has Humidity Option)	(Has Analog or Digital Inputs)	(Has Humidity Option plus Analog or Digital Inputs)

The EZRA Group LLC / Talking Thermostats.com

www.talkingthermostats.com

PO Box 27145 Golden Valley, MN 55427

E-mail: harry@talkingthermostats.com

Tel: 1-800-838-8860

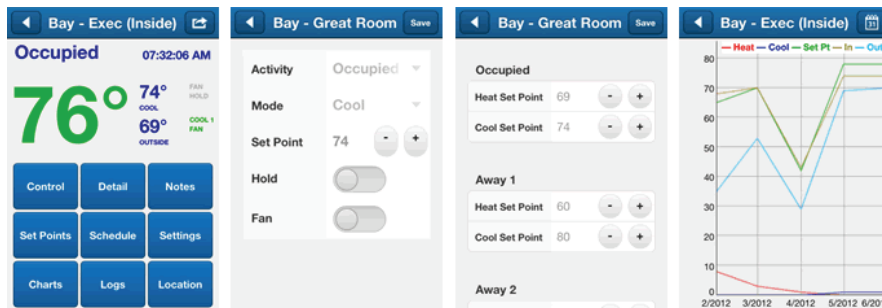
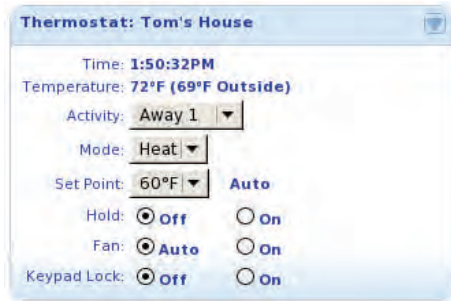
763-591-9557

Fax: 763-544-7166

WEB APPLETS

Remote Control and Monitoring From Your Computer

Seamless integration with your local keypad and smart phone. Changes made on any interface will be seen and take effect within 10 seconds.

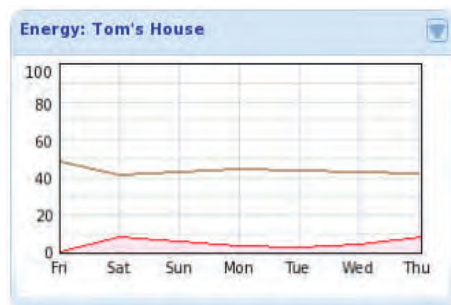


Monitor and Control HVAC units in thousands of Residential and Commercial locations with the Bayweb easy-to-use Smartphone and Tablet Apps.

Manage Your Energy

The **BAYweb** Thermostat provides comprehensive energy management reporting, analysis, and alerting functions previously only found in expensive and complex building management systems available to large commercial and industrial customers.

In addition to analysis and reporting, you can setup your web portal to alert you if the energy usage ever exceeds a specified threshold, a great feature for parents, vacation home owners, landlords and building managers.



Simple Operation

Until now, programmable thermostats have been too complex and difficult to use.

The **Bayweb** thermostat utilizes the power and advantages of a web-based interface to take the hassle out of setting up your thermostat.

Specifications

Power Methods.....From furnace/AC using "C" wire, or External power supply (included)
 Power Requirements.....24 Vac, 0.5 amps max, or 120 Vac, 60 Hz, 0.25 amp max
 Control Electrical Ratings.....Class 2, 20-30 Vac 3.2 Amp max
 Temperature Ratings
 Storage Temperature.....-40° to 150° F
 Operating.....0° F to 120° F
 Set point Range.....35° F to 99° F
 Accuracy± 1° F
 Differential..1° F
 Humidity Rating.....5% to 90% RH, noncondensing
 LAN Port.....IEEE 803.2 compatible, 10 Mbps
 Wiring Connections.....Screw terminals

Local User Interface.....Keypad with Led display-Web based
 Remote User Interface.....Computer or Smart Cell Phone
 Clock.....Synchronized with NIST atomic clock
 System Types.....Gas, oil or electric heat with AC
 Control Types.....Single and multistage heat/cool, heat pump with aux heat, dual fuel
 Fan Control.....Auto, ON, auto with minimum circulation
 Set Points.....4 heat, 4 cool
 Schedule.....7 day, 48 periods per day
 Control Features.....Manual or auto changeover
 Memory.....All settings and data maintained indefinitely in non-volatile memory
 Keypad Function.....Set point, Heat, Cool, Fan, Hold
 Short Cycle Protection.....5 minute
 Dimensions: (Control Module).....7.5" W x 5.65" H x 1.2" D
 (Keypad).....4" W x 5" H x 0.6" D

The EZRA Group LLC / Talking Thermostats.com

www.talkingthermostats.com

PO Box 27145 Golden Valley, MN 55427

E-mail: harry@talkingthermostats.com

Tel: 1-800-838-8860

763-591-9557

Fax: 763-544-7166

INSTALLATION

Designed to install yourself, the **BAYweb** Thermostat is the least expensive and most full featured Internet enabled thermostat available. There are no additional or ongoing fees required.

TYPICAL EXAMPLE OF EXISTING INSTALLATION

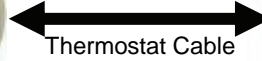
Your existing installation should be similar to this depiction.

You have a single thermostat cable going between your wall mounted thermostat and the furnace.

The cable contains 2 to 5 wires of different colors



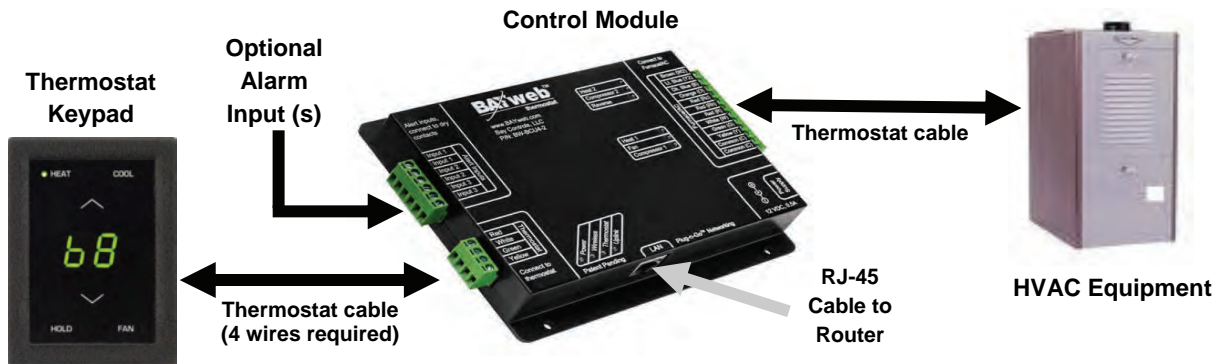
Existing Thermostat



HVAC Equipment

TYPICAL EXAMPLE OF BAYWEB THERMOSTAT INSTALLATION

The BAYweb Thermostat installation is shown below. The Keypad replaces your current thermostat. The Keypad connects to the control module with a 4 wire cable. In a forced air heating—cooling application, no addition wiring should be required. In a 2 wire hot water boiler or forced air heating only application, you may have to add 2 additional wires or a new 4 wire cable. The Control Module is mounted near the furnace / boiler or air conditioner and is wired into the existing thermostat cable. The Control Module can be powered from either the furnace / AC 24 Vac power supply or from the 120 Vac power module that is included.



The specific installation steps to replace your existing thermostat with the new BAYweb Thermostat are shown in the installation instructions in the Owners Manual you receive with the thermostat.

NOTES:

1. White is the standard Keypad color.
2. All models use the sensor in the thermostat keypad for room temperature sensing.
3. The BW-WT8 and BW-WT8-H inputs can be configured for **either** digital or analog (thermistor sensor).
4. Relay outputs (W2 and Y2) on the BW-WT8 and BW-WT8-H can be used for switching other low voltage circuits if they are not used for HVAC control.
5. Optional Humidity functions require BW-T110 Keypad module. The BW-T110 Keypad is included with the BW-WT2-H and BW-WT8-H.

Optional Temperature Sensors available for the BW-WT8 and BW-WT8-H

1. BW-Temp Duct (Used for remote sensing of HVAC system discharge air temperature)
2. BW-Temp Indoor (Used for remote sensing of space temperature and space temperature averaging)
3. BW-Temp Outdoor (Used for remote sensing of high and low temperatures)

The EZRA Group LLC / Talking Thermostats.com

www.talkingthermostats.com

PO Box 27145 Golden Valley, MN 55427

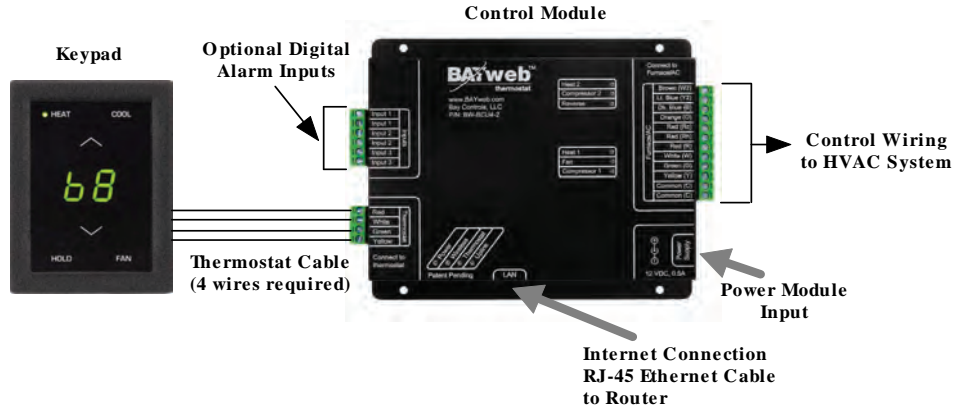
E-mail: harry@talkingthermostats.com

Tel: 1-800-838-8860

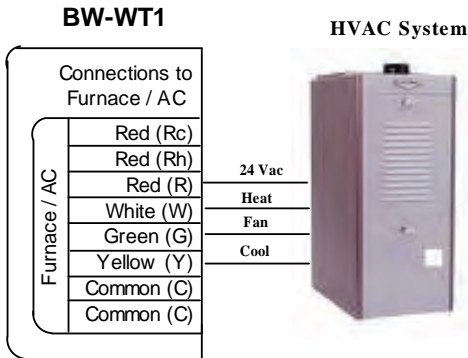
763-591-9557

Fax: 763-544-7166

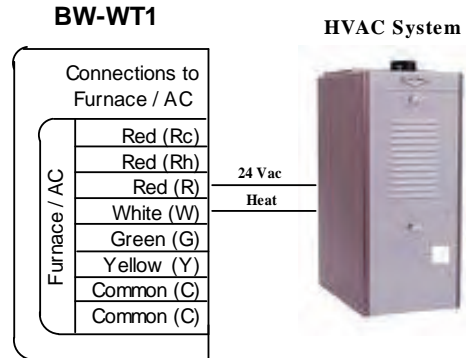
Typical Single Zone Bayweb Internet Controlled Thermostat Installation (Model BW-WT2 shown for reference)



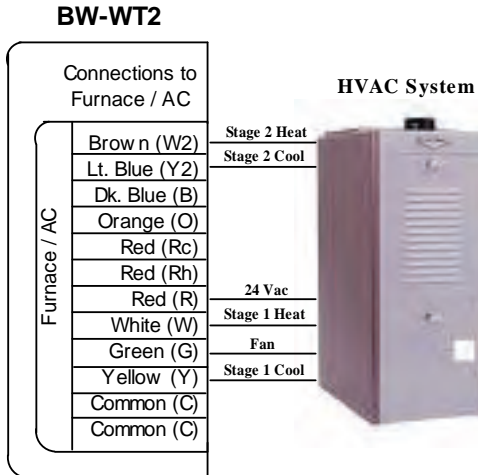
Typical HVAC System Control Wiring for most common applications



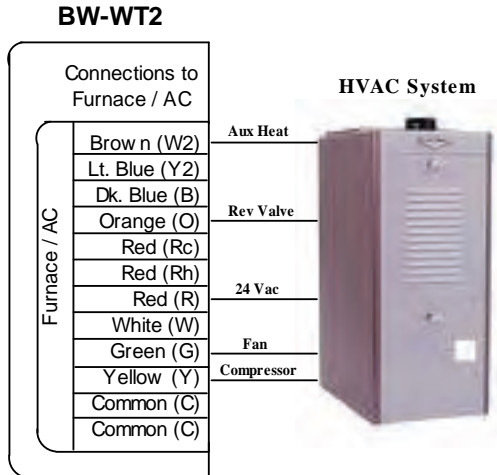
**1 stage Heat - 1 stage Cool
Forced Air Application**



**1 stage Heat Forced Air
or Hot Water Application**



**2 stage Heat - 2 stage Cool
Forced Air Application**



**1 Stage Compressor Heat Pump with
Auxiliary Heat**

NOTE:

- (1) The Bayweb Control Module can be powered by either the included Power Module or 24 Vac from the HVAC equipment terminals (R) and (Common). Examples shown above are powered by the Included Power Module.
- (2) If you do not understand the technical aspects of your HVAC system, contact an HVAC professional.
- (3) The above are typical wiring diagrams and are for reference only. Because heating and cooling systems differ, the diagrams may not pertain to your individual heating system.
- (4) The Ezra Group LLC / Talking Thermostats.com is not a heating-cooling contractor and does not assume responsibility as to the accuracy of the above diagrams as they pertain to your system.

The EZRA Group LLC / Talking Thermostats.com

www.talkingthermostats.com

PO Box 27145 Golden Valley, MN 55427

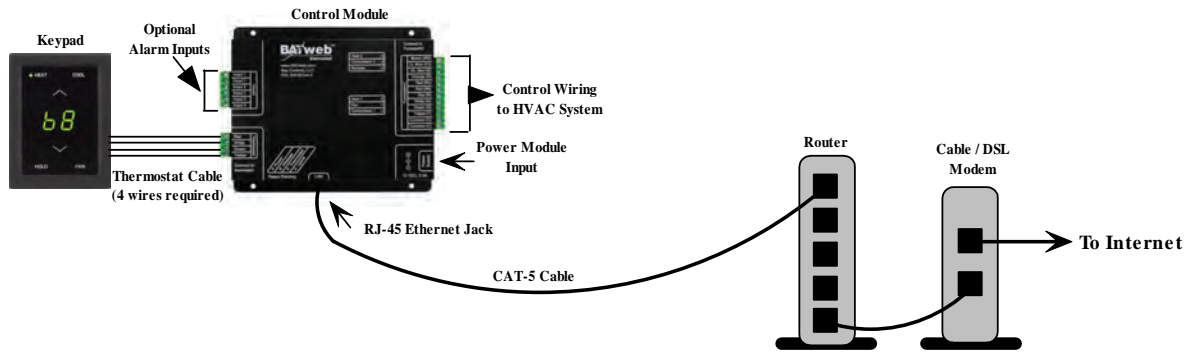
E-mail: harry@talkingthermostats.com

Tel: 1-800-838-8860

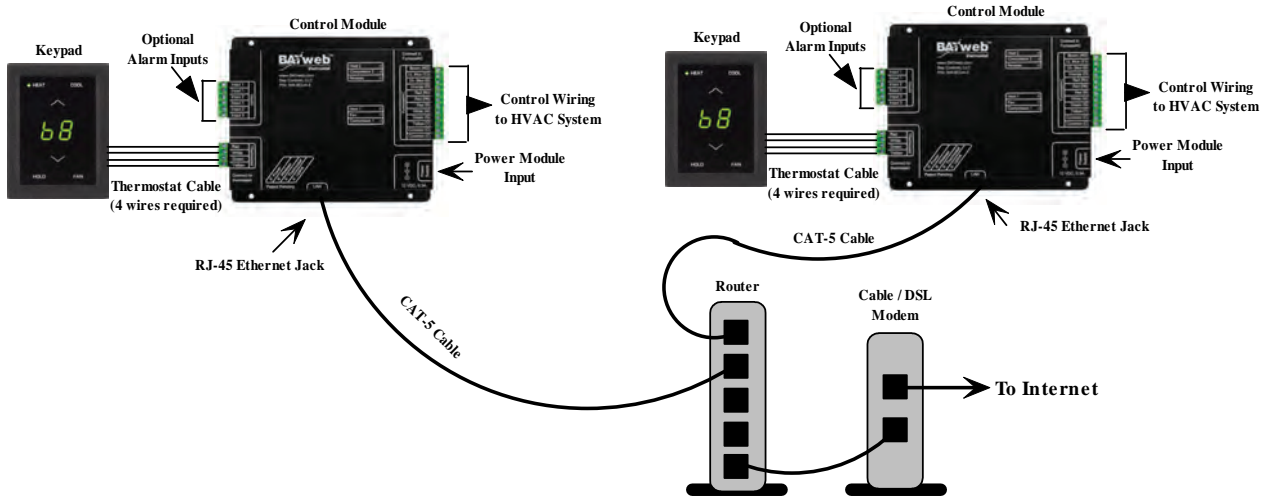
763-591-9557

Fax: 763-544-7166

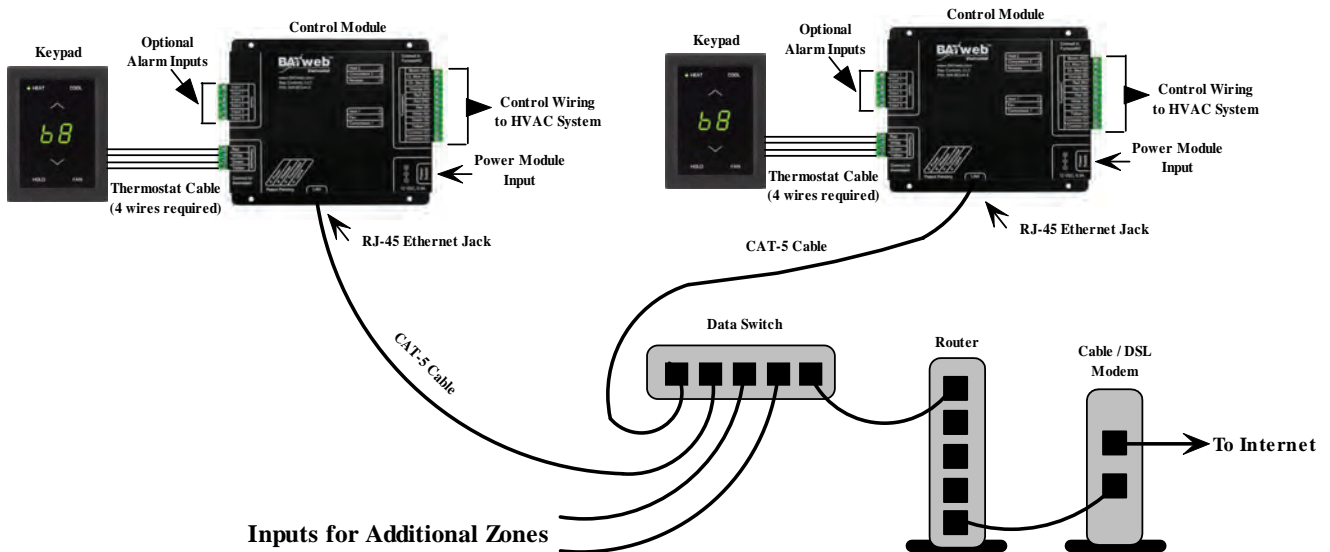
Typical Single Zone Bayweb Internet Controlled Thermostat Installation



Typical Two Zone Bayweb Internet Controlled Thermostat Installation



Typical Multi Zone Bayweb Internet Controlled Thermostat Installation



Inputs for Additional Zones

Note: Optional Alarm Inputs

- (1) BW-WT1: 1 Digital Alarm Input
- (2) BW-WT2: 3 Digital Alarm Inputs
- (3) BW-WT8: Up to 3 Analog or 3 Digital Inputs (Analog and Digital Inputs are Selectable)

The EZRA Group LLC / Talking Thermostats.com

www.talkingthermostats.com

PO Box 27145 Golden Valley, MN 55427

E-mail: harry@talkingthermostats.com

Tel: 1-800-838-8860

763-591-9557

Fax: 763-544-7166